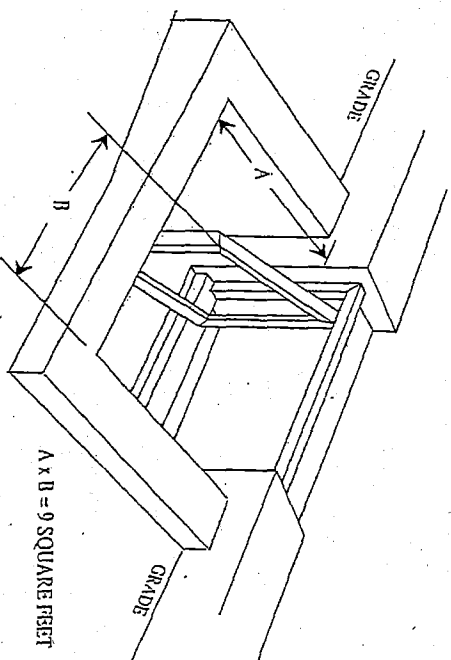


# Emergency escape and rescue

Window wells required for emergency escape and rescue shall have horizontal dimensions that allow the door or window of the emergency escape and rescue opening to be fully opened. The horizontal dimensions of the window well shall provide a minimum net clear area of 9 square feet with a minimum horizontal projection and width of 36 inches.

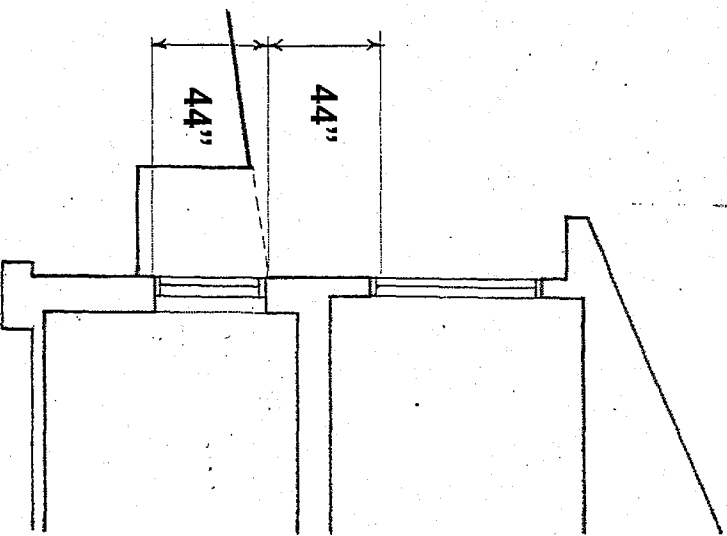


International Residential Code, section R310.2

# Emergency escape and rescue

**Exception: Grade floor openings shall have a minimum net clear opening of 5 square feet.**

**Grade floor opening is a window or other opening located such that the sill height of the opening is not more than 44 inches above or below the finished ground level adjacent to the opening.**



International Residential Code, section R310.1.1 and R202.

